

P474W/P474U/P554W/P554U Installation Guide

Desktop and Ceiling Mount

Rev 1.0

Contents

Product Description, Lens Specs, Screen/Aspect Ratio	
Notes	Pg 1
Distance Charts and Formulas	Pg 2-3
Ceiling Mount/Desktop Installation	Pg 4
Lens Shift Adjustable Range	Pg 5
Cabinet Dimensions	Pg 6-7
Ceiling Mount Dimensions and Input Panel	Pg 8
Control Codes	Pg 9



Product Description

Type:	3 panel LCD projector, 0.64 p-Si TFT w/MLA	Dimensions:	16.52"(W) x 5.54"(H) x 12.95"(D)
		Weight:	10.6 lbs
Resolution:	P474W: 1280 x 768 (16:10) P474U: 1920 x 1200 (16:10) P554W: 1280 x 800 (16:10) P554U: 1920 x 1200 (16:10)	Brightness:	P474W: 4700 Lumens P474U: 4700 Lumens P554W: 5500 Lumens P554U: 5500 Lumens
Fan Noise:	39 dB / 33dB @ 1 meter		
Power Consumption:	P474W: 418W (max) P474U: 424W (max) P554W: 448W (max) P554U: 460W (max)	BTU's:	P474W: 1426.3 BTU/hour (max) P474U: 1446.7 BTU/hour (max) P554W: 1528.6 BTU/hour (max) P554U: 1559.3 BTU/hour (max)

Network Ready, integrated wired and wireless adapter
Manual: Lens Shift, Horizontal & Vertical /Zoom/ Focus

Lens Specifications

Throw Ratio:	P474W/P554W: 1.2 – 2.1:1 (for 100" diagonal) P474U/P554U: 1.2 – 2.0:1 (for 100" diagonal)	Focal Length:	17.4mm – 29.0mm 17.2mm – 27.7mm
Offset Angle:	4.8° - 8.0° (for 100" diagonal)	F/#:	1.7 – 2.2 1.5 – 2.1
Screen Sizes:	30" - 300" diagonal	Manual Focus/Manual Zoom/Manual Lens Shift	

Screen/Aspect Ratio

4:3, 16:9 and 16:10 screens are fully supported with proper aspect ratio control for both type sources using NEC developed scaling technology. Menu selections have settings for each screen type and aspect ratio control for each source type.

Notes

- For screen sizes not indicated on the projection tables, use the formulas below.
If the figures on the tables do not match the results of formulas, use the figures in the table..
- Distances are in inches, for millimeters multiply by 25.4.
- Distances may vary ±5%.

P474W/P474U/P554W/P554U Installation Guide

Desktop and Ceiling Mount

Formulas: 16:10 Aspect Ratio (P474W/P554W—WXGA)

The Projection Formulas use the image width for calculation. Image width is the same for all aspect ratios, only vertical image size varies. For proper projector placement, determine the image width for a desired screen size. Use the Screen Formulas below to calculate all screen dimensions. Plug in the image width for "W" in the Projection Formulas.

Refer to the diagrams and charts for popular screen sizes on page 4:

16:10 Screen Formulas:

$$W = H \times 16/10$$

$$H = W \times 10/16$$

$$\text{Screen Diagonal} = W \times 18.868/16$$

Projection Formulas:

$$B (\text{max}) = 0.347W$$

$$B (\text{min}) = 0$$

$$C (\text{wide}) = 1.263W - 3.138$$

$$C (\text{tele}) = 2.264W - 3.138$$

$$D (\text{max}) = -0.053W$$

$$D (\text{min}) = 0.313W$$

$$\alpha (\text{wide}) = \tan^{-1} (B/C(\text{wide}))$$

$$\alpha (\text{tele}) = \tan^{-1} (B/C(\text{tele}))$$

$$\text{Lens Shift Max (Right)} = 0.15W$$

$$\text{Lens Shift Max (Left)} = 0.-15W$$

Note: For screen sizes not indicated on the projection tables, use the formulas on page 1.

Distance Charts

The following shows the proper relative positions of the projector and screen. Refer to the table to determine the position of installation. Distances are in inches. For millimeters multiply by 25.4.

Screen Size (16:10)			B max - min	C wide - tele	D max - min	α wide - tele	Lens Shift	
Diagonal	Width(W)	Height (H)					Max (Right)	Max (Left)
inches	inches	inches	inches	inches	inches	degrees	inches	
57	48	30	17 - 0	57 - 106	-2 - 15	16.2 - 9.0	7.2	-7.2
66	56	35	19 - 0	68 - 124	-2 - 18	16.0 - 8.9	8	-8
68	58	36	20 - 0	70 - 127	-2 - 18	16.0 - 8.9	9	-9
75	64	40	22 - 0	78 - 142	-2 - 20	16.0 - 8.9	10	-10
79	67	42	23 - 0	82 - 149	-2 - 21	15.9 - 8.9	10	-10
85	72	45	25 - 0	88 - 160	-3 - 23	15.9 - 8.9	11	-11
92	78	49	27 - 0	96 - 174	-3 - 25	15.8 - 8.9	12	-12
98	83	52	29 - 0	102 - 185	-3 - 26	15.8 - 8.9	12	-12
102	86	54	30 - 0	106 - 192	-3 - 27	15.8 - 8.9	13	-13
111	94	59	33 - 0	116 - 211	-3 - 30	15.8 - 8.8	14	-14
113	96	60	33 - 0	118 - 214	-3 - 30	15.8 - 8.8	14	-14
123	104	65	36 - 0	128 - 232	-4 - 33	15.7 - 8.8	16	-16
125	106	66	37 - 0	130 - 236	-4 - 33	15.7 - 8.8	16	-16
147	125	78	43 - 0	154 - 279	-4 - 39	15.7 - 8.8	19	-19
149	126	79	44 - 0	157 - 283	-4 - 40	15.7 - 8.8	19	-19
213	181	113	63 - 0	225 - 406	-6 - 57	15.6 - 8.8	27	-27
255	216	135	75 - 0	270 - 486	-8 - 68	15.5 - 8.8	32	-32
270	229	143	79 - 0	286 - 515	-8 - 72	15.5 - 8.8	34	-34
300	254	159	88 - 0	318 - 573	-9 - 80	15.5 - 8.8	38	-38

P474W/P474U/P554W/P554U Installation Guide

Desktop and Ceiling Mount

Rev 1.0

Formulas: 16:10 Aspect Ratio (P474U/P554U—WUXGA)

The Projection Formulas use the image width for calculation. Image width is the same for all aspect ratios, only vertical image size varies. For proper projector placement, determine the image width for a desired screen size. Use the Screen Formulas below to calculate all screen dimensions. Plug in the image width for “W” in the Projection Formulas.

Refer to the diagrams and charts for popular screen sizes on page 4:

16:10 Screen Formulas:

$$W = H \times 16/10$$

$$H = W \times 10/16$$

$$\text{Screen Diagonal} = W \times 18.868/16$$

Projection Formulas:

$$B \text{ (max)} = 0.347W$$

$$B \text{ (min)} = 0$$

$$C \text{ (wide)} = 1.238W - 1.818$$

$$C \text{ (tele)} = 1.999W - 1.727$$

$$D \text{ (max)} = -0.053W$$

$$D \text{ (min)} = 0.313W$$

$$\alpha \text{ (wide)} = \tan^{-1} (B/C(\text{wide}))$$

$$\alpha \text{ (tele)} = \tan^{-1} (B/C(\text{tele}))$$

$$\text{Lens Shift Max (Right)} = 0.15W$$

$$\text{Lens Shift Max (Left)} = 0.-15W$$

Note: For screen sizes not indicated on the projection tables, use the formulas on page 1.

Distance Charts

The following shows the proper relative positions of the projector and screen. Refer to the table to determine the position of installation. Distances are in inches. For millimeters multiply by 25.4.

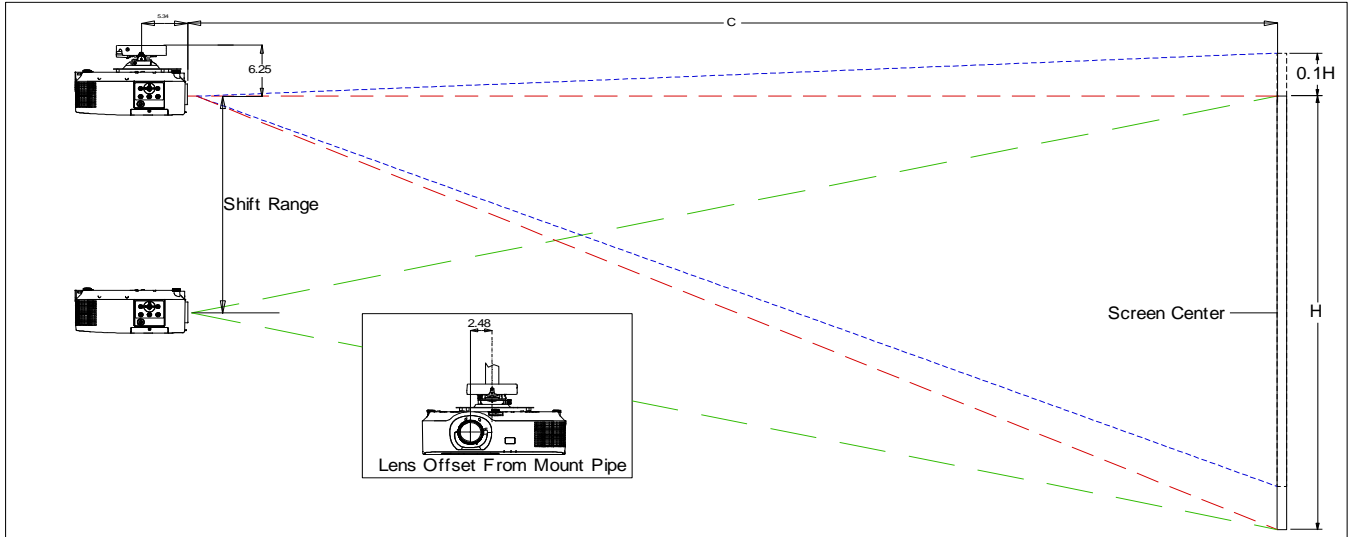
Screen Size (16:10)			B max - min	C wide - tele	D max - min	α wide - tele	Lens Shift	
Diagonal	Width(W)	Height (H)					Max (Right)	Max (Left)
inches	inches	inches	inches	inches	inches	degrees	inches	
57	48	30	17 - 0	58 - 94	-2 - 15	16.1 - 10.0	7.2	-7.2
66	56	35	19 - 0	68 - 110	-2 - 18	16.1 - 10.0	8	-8
68	58	36	20 - 0	69 - 113	-2 - 18	16.0 - 10.0	9	-9
75	64	40	22 - 0	77 - 126	-2 - 20	16.0 - 10.0	10	-10
79	67	42	23 - 0	81 - 133	-2 - 21	16.0 - 10.0	10	-10
85	72	45	25 - 0	87 - 142	-3 - 23	16.0 - 10.0	11	-11
92	78	49	27 - 0	95 - 155	-3 - 25	15.9 - 10.0	12	-12
98	83	52	29 - 0	101 - 165	-3 - 26	15.9 - 9.9	12	-12
102	86	54	30 - 0	105 - 171	-3 - 27	15.9 - 9.9	13	-13
111	94	59	33 - 0	115 - 187	-3 - 30	15.9 - 9.9	14	-14
113	96	60	33 - 0	117 - 190	-3 - 30	15.9 - 9.9	14	-14
123	104	65	36 - 0	127 - 206	-4 - 33	15.9 - 9.9	16	-16
125	106	66	37 - 0	129 - 209	-4 - 33	15.9 - 9.9	16	-16
147	125	78	43 - 0	153 - 248	-4 - 39	15.8 - 9.9	19	-19
149	126	79	44 - 0	155 - 251	-4 - 40	15.8 - 9.9	19	-19
213	181	113	63 - 0	222 - 360	-6 - 57	15.8 - 9.9	27	-27
255	216	135	75 - 0	266 - 430	-8 - 68	15.8 - 9.9	32	-32
270	229	143	79 - 0	281 - 456	-8 - 72	15.8 - 9.9	34	-34
300	254	159	88 - 0	313 - 507	-9 - 80	15.7 - 9.9	38	-38

P474W/P474U/P554W/P554U Installation Guide

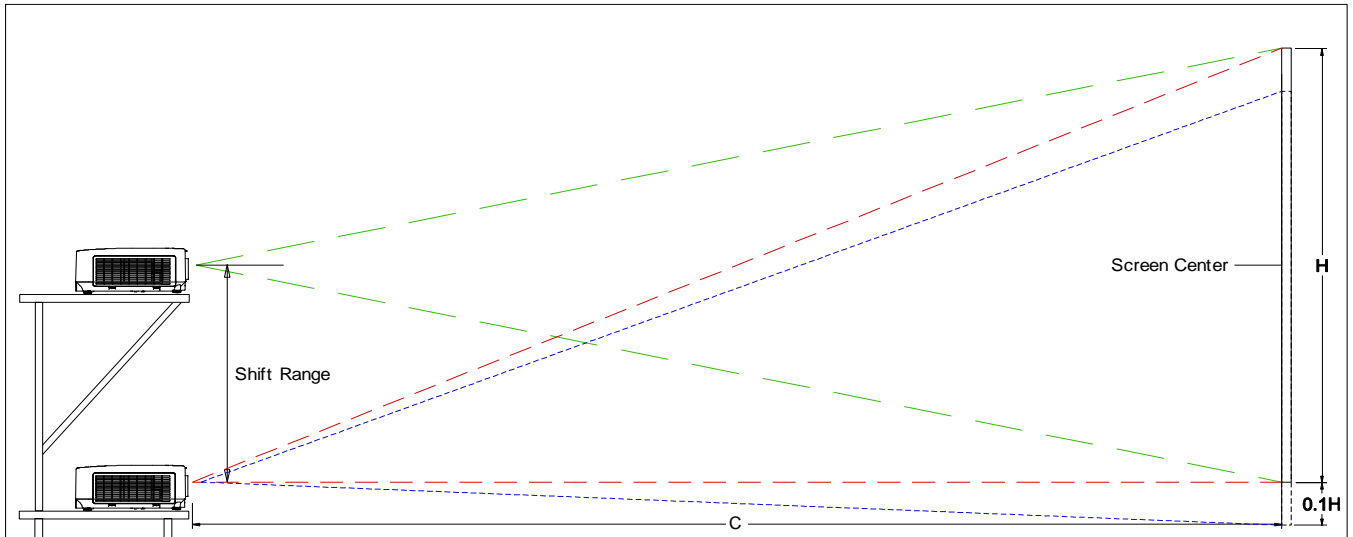
Desktop and Ceiling Mount

Rev 1.0

Ceiling Mounted



Desktop



P474W/P474U/P554W/P554U Installation Guide

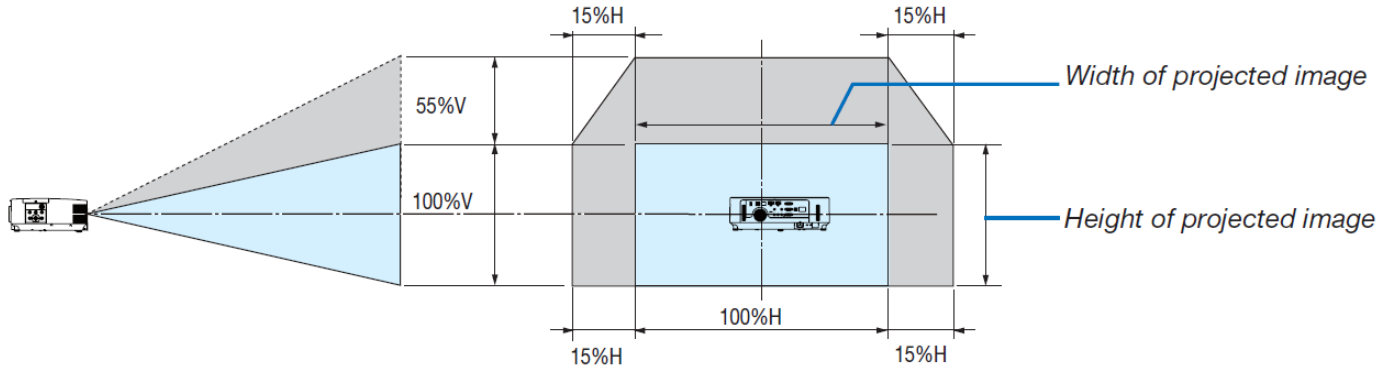
Desktop and Ceiling Mount

Rev 1.0

Lens Shift Adjustable Range

Lens Shift Range for Desktop and Ceiling Mount Application

The diagram below shows the location of the image position in the lens for the P474W/P555W. The P474W/P554W has a maximum horizontal lens shift range of +/- 15% and a maximum vertical lens shift of + 55%. The lens can be shifted within the shaded area as shown using the normal projection position as a starting point.



Lens Shift Range for Desktop and Ceiling Mount Application

The diagram below shows the location of the image position in the lens for the P474U/P554U. The P474U/P554U has a maximum horizontal lens shift range of +/- 25% and a maximum vertical lens shift of + 62%. The lens can be shifted within the shaded area as shown using the normal projection position as a starting point.

Note: Projector is set out of the box at center position, which is how it is depicted above.
(H: width of projected image, V: height of projected image)

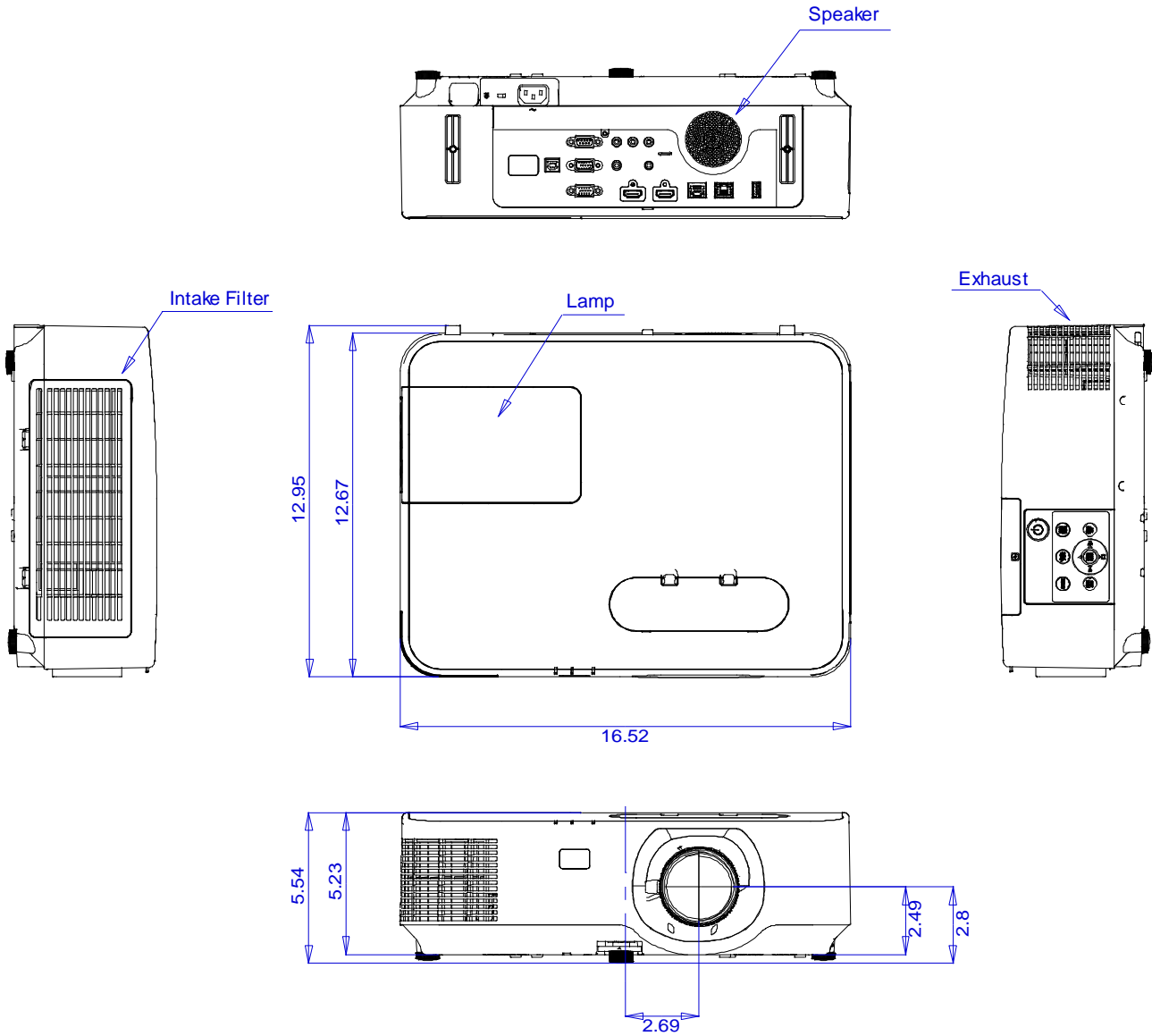
P474W/P474UU/P554W/P554U Installation Guide

Desktop and Ceiling Mount

Rev 1.0

Cabinet Dimensions

The following diagrams show the cabinet dimensions for the P474W/ P474U/P554W/P554U. Dimensions are in inches. For millimeters multiply by 25.4.

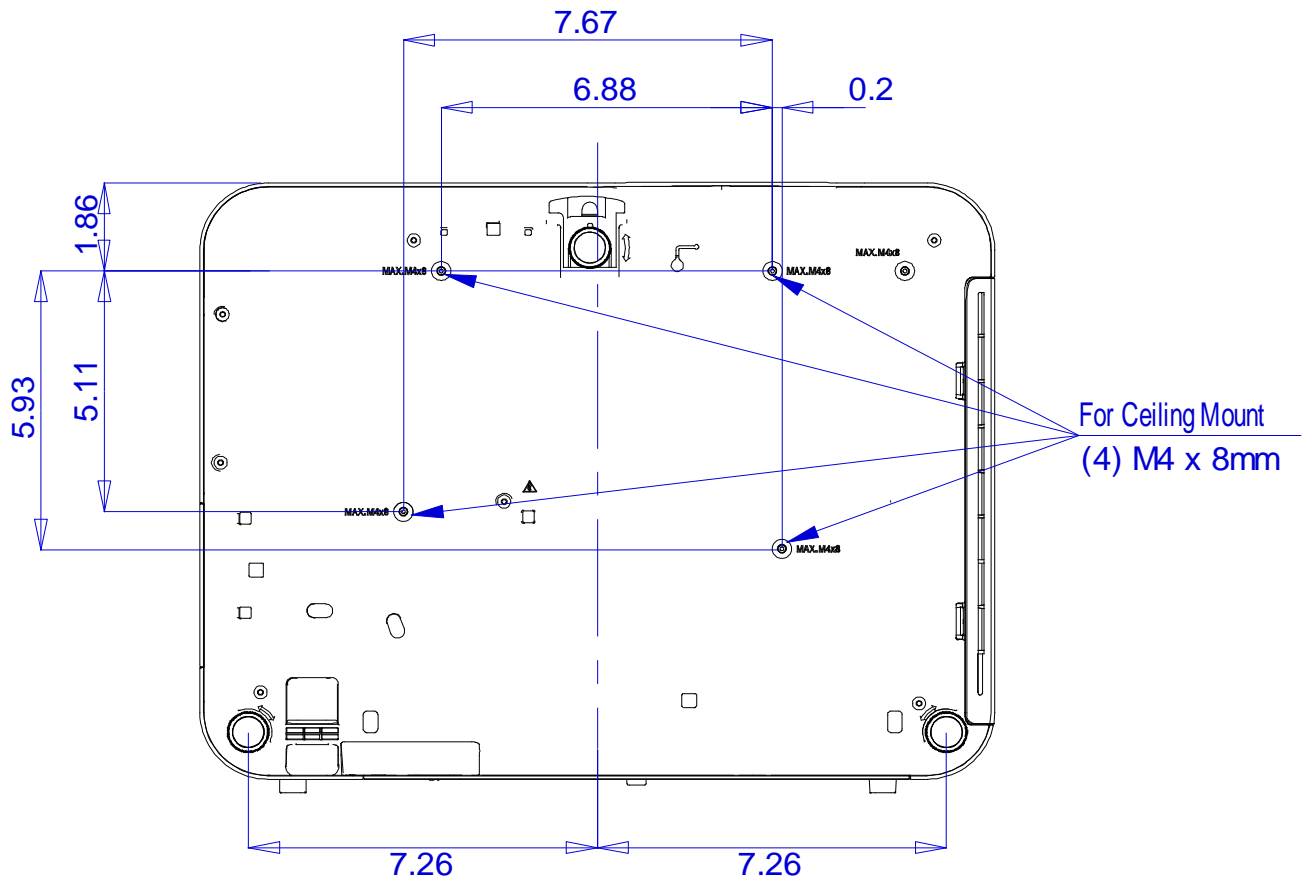


P474W/P474UU/P554W/P554U Installation Guide

Desktop and Ceiling Mount

Rev 1.0

Cabinet Dimensions



P474W/P474UU/P554W/P554U Installation Guide

Desktop and Ceiling Mount

Rev 1.0

Input Panel



Control Panel

P474W/P474UU/P554W/P554U Installation Guide

Desktop and Ceiling Mount

Rev 1.0

PC Control Codes

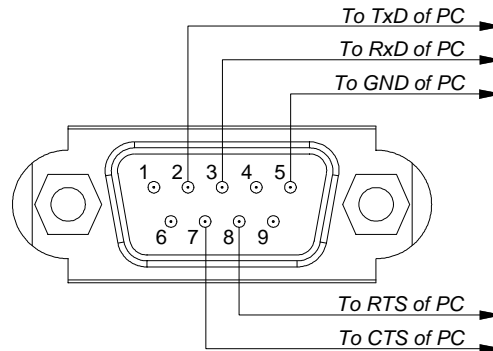
Function	Code Data							
POWER ON	02H	00H	00H	00H	00H	02H		
POWER OFF	02H	01H	00H	00H	00H	03H		
INPUT SELECT Computer	02H	03H	00H	00H	02H	01H	09H	
INPUT SELECT HDMI1	02H	03H	00H	00H	02H	01H	A1H	A9H
INPUT SELECT HDMI2	02H	03H	00H	00H	02H	01H	A2H	AAH
INPUT SELECT Video	02H	03H	00H	00H	02H	01H	06H	0EH
INPUT SELECT Computer	02H	03H	00H	00H	02H	01H	01H	09H
INPUT SELECT HDBaseT	02H	03H	00H	00H	02H	01H	BFH	C7H
PICTURE MUTE ON	02H	10H	00H	00H	00H	12H		
PICTURE MUTE OFF	02H	11H	00H	00H	00H	13H		
SOUND MUTE ON	02H	12H	00H	00H	00H	14H		
SOUND MUTE OFF	02H	13H	00H	00H	00H	15H		
AUTO ADJUST	02H	0FH	00H	00H	02H	05H	00H	18H

Cable Connection

Communication Protocol:

Baud Rate: 38400 bps (for cable lengths longer than 20', it is recommended changing to 9600 bps in setup menu)
 Data Length: 8 bits
 Parity: No Parity
 Stop Bit: One bit
 X on/off: None
 Communications: Full duplex

PC Control Connector (D-Sub 9P)



NOTE 1 : Pins 1, 4, 6, and 9 are used inside the projector.

NOTE 2 : For long cable runs it is recommended to set communication speed within the projector to 9600 bps.

NOTE 3 : Jumper "Request to Send" and "Clear to Send" together on both ends of the cable to simplify cable connection.