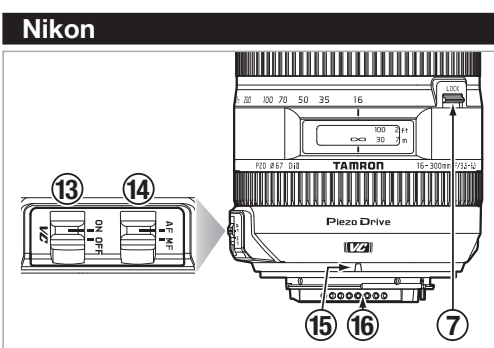
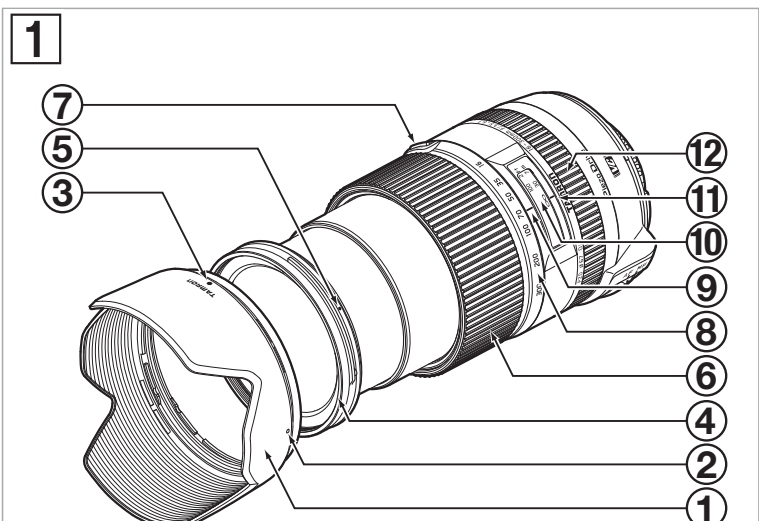


TAMRON

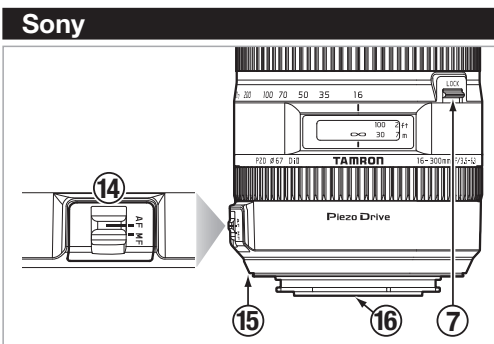
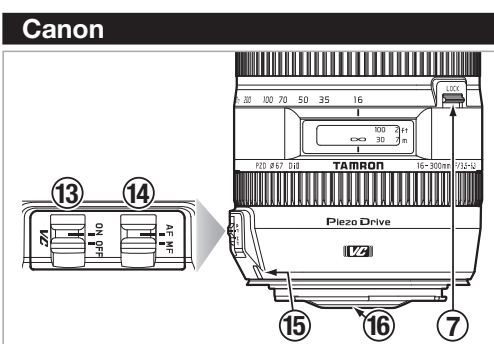
16-300mm F/3.5-6.3 Di II VC PZD MACRO
(for Nikon, Canon)

16-300mm F/3.5-6.3 Di II PZD MACRO
(for Sony *Models without the VC)

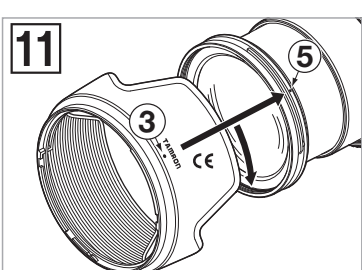
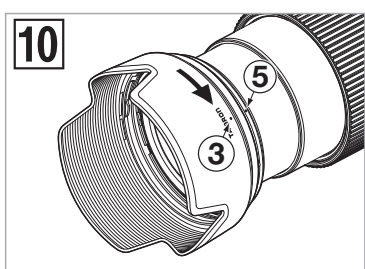
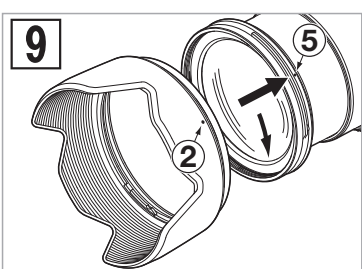
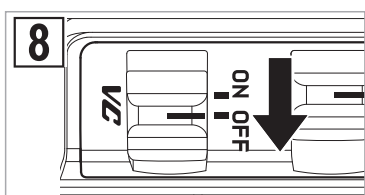
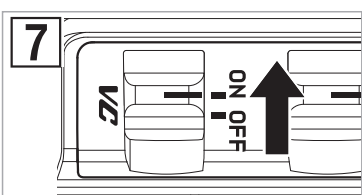
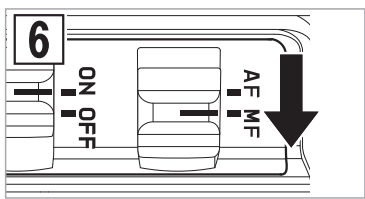
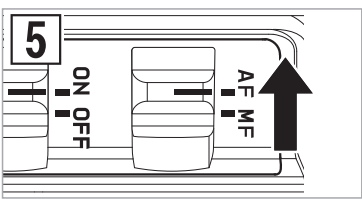
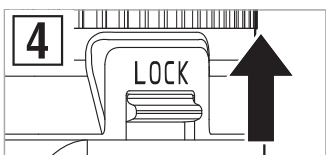
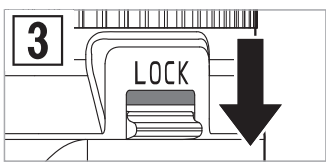
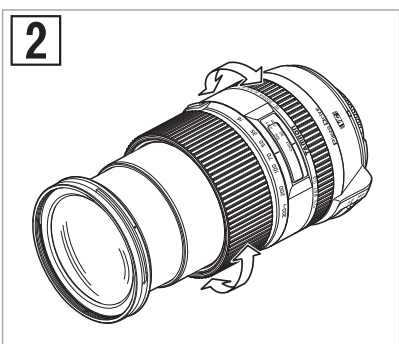
Model: B016



* B016: This model is Built-in Motor



* Common with the Konica Minolta α mount.



CE * The CE Marking is a directive conformity mark of the European Community (EC).
 * Das CE-Zeichen entspricht der EC Norm.
 * La marquage CE est un marquage de conformité à la directive CEE (CE).
 * La marca CE es marca de conformidad según directiva de la Comunidad Europea (CE).
 * Il marchio CE attesta la conformità alla direttiva della Comunità Europea (CEE).
 * CE标志表示符合欧洲共同体(EC)指标

CE The EEC Conformity Report applies to the Council Directive 98/336/EEC, 92/31/EEC, 93/68/EEC and is used by Tamron Co., Ltd., manufacturer of this product.

