

EVO-LINK truss mounts

Datasheet



EVO-LINK-200

EVO-LINK

- ▶ Strong but light weight
- ▶ Smooth operation
- ▶ Wide adjustment range with balljoint
- ▶ Optional fine adjust system available
- ▶ Black surface
- ▶ DGUV-V17 / V18 verified



EVO-LINK-201



EVO-LINK-210



EVO-LINK-211

The new EVO-LINK product line completes the EVOLution of projector hanging accessories.

In combination with the EVO frame series the EVO-LINK assures a quick, safe and easy set up of a hanged projector. The integrated ball joint allows a super smooth and wide-ranged setting. For very accurate setups the EVO-LINK with fine adjust system is the right choice. Due to our 3-plates-technology, that is implemented in the EVO-LINK body, your adjustments stay exactly as they are after setting tight. If a customised system is required, just contact us - we can provide the right product for every application.

EVO-LINK truss mounts

Datasheet

SPECIFICATIONS

	EVO-LINK-200	EVO-LINK-201	EVO-LINK-210	EVO-LINK-211
Notes	with selflock hook	with selflock hook and fine adjust	with crossbeam and two selflock hooks	with crossbeam, two selflock hooks and fine adjust
Dimensions h x w x l [mm]	245 x 163 x 163	279 x 163 x 163	283 x 400 x 163	317 x 400 x 163
Weight [kg]	3,5	4,4	5,0	6,3
Adjustment	+/- 25°	+/- 25°	+/- 25°	+/- 25°
Fine adjust	No	Yes, +/- 5°	No	Yes, +/- 5°
Max load (with safety wire) [kg]	200 kg	200 kg	200 kg	200 kg

MODEL NUMBERS AND COMPATIBILITY*1

EU market	US market	Panasonic US model no.	Compatibility*2
EVO-LINK-200	EVO-LINK-200-US	ET-PFD065TMS2	EVO frame series: FRAME-EVO-P10/P10-US, FRAME-EVO-P20/P20-US, FRAME-EVO-P30/P30-US FRAME-EVO-P14/P14-US, FRAME-EVO-E10, FRAME-EVO-E20
EVO-LINK-201	EVO-LINK-201-US	ET-PFD165TMS2	
EVO-LINK-210	EVO-LINK-210-US	ET-PFD265TMCX2	
EVO-LINK-211	EVO-LINK-211-US	ET-PFD365TMCX2	

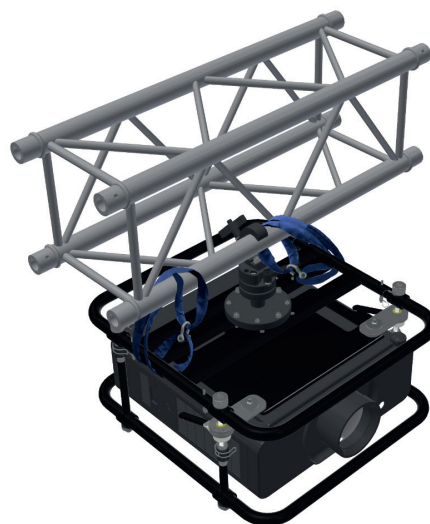
ACCESSORY

Safety Wire Kit for EVO-LINK

EVO-LINK-SK



EVO-LINK-SK



EVO-LINK-SK in usage

*1 NOTE: Always refer to the manual and do not exceed the maximum load!

*2 This is an abstract of a complete list of compatible projector frames. EVO-LINK-200 series is also compatible with other projector frames, please contact us for more information.