

American Made Quality & Versatility You can Use

Not just a camera enclosure but an engineered outdoor housing system that is designed to expand all indoor camera models into complete rugged outdoor system solutions.

Virtually Indestructible: We produce the world's toughest enclosures. They will not corrode, rust, leak and have proven to withstand a whole world of abuse.

No matter the climate we take outdoor temperature protection very seriously: Extreme Hot climates, Cold climates, Marine and everywhere in between.



Demo Model Only

innovative

D3-BASE: Dotworkz D3 Standard Base Camera Enclosure



Description:

The D3-Base our standard without internal environmental controls is compatible with virtually every IP and analog PTZ camera on the market — Axis, Canon, Toshiba, JVC, Panasonic, Sony and many more.

Considered a complete solution housing due to its large size and ability to safely shield routers, cell card networks, wireless Mesh hardware, UPS systems, hard drives, and full feature NVR

Features:

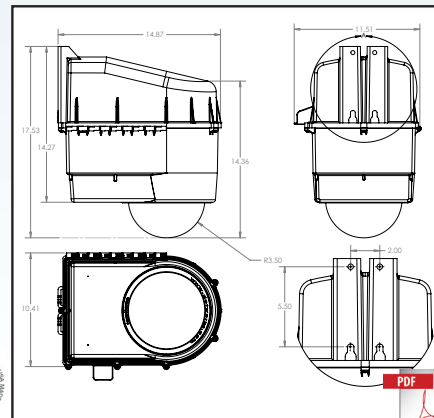
- Virtually indestructible Polycarbonate Thermal Plastic alloy
- Internal bracket included for perfect fit for PTZ, megapixel or mini domes
- Switchable upper and lower camera mounting locations for maximum versatility and internal storage space
- Internal mounting space for: routers, cell networks, hard drives, UPS, WiMAX, mesh hardware, etc
- IP66 rated against dust, water and salt water air & IP68 water proof connection ports
- Heavy duty optically pure lower lens for camera protection and viewing range



systems inside with the camera. Engineered for indoor or outdoor conditions not requiring environmental controls but where vandal and airtight protection is required.

Specs:

Enclosure Construction:
Dotworkz Thermoplastic Alloy
Lens Construction:
Precision View High Impact Acrylic
Shipping Dimensions:
22" x 13" x 16"
Shipping Weight:
10 lbs. (4.5 kg)



PDF



remote video solutions

www.dotworkz.com 866.575.4689